

## GSV Angle Bracket

### Features

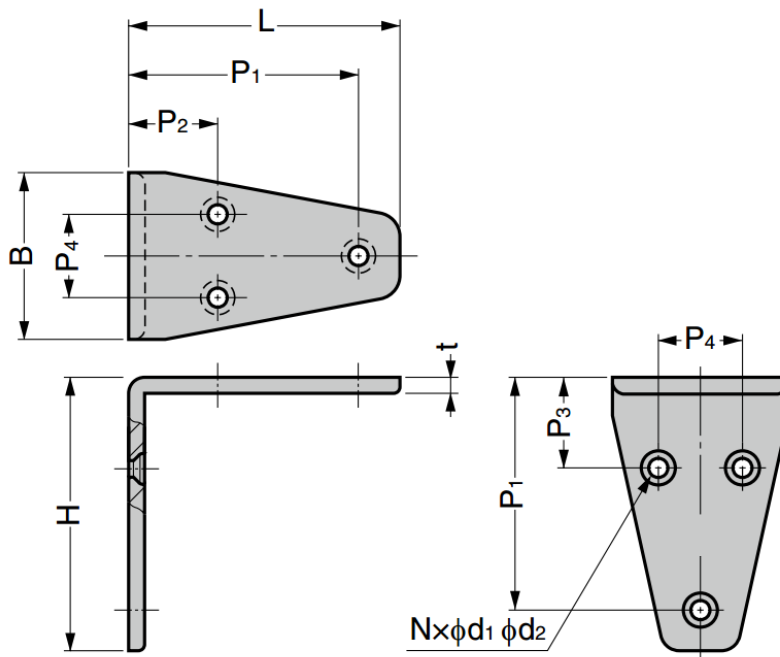
- Made of stainless steel with excellent rust resistance, ideal for use as reinforcement fittings and brackets for partition panel in various places such as bathroom, kitchen, marine, and medical

### Material

- Stainless steel 304, satin or polished finish

### Notes

- Raised countersunk head wood screw (SUS) provided



Part No.	Finish	L	H	P <sub>1</sub>	P <sub>2</sub>	P <sub>3</sub>	P <sub>4</sub>	B	t	d <sub>1</sub>	d <sub>2</sub>	Holes	Load Capacity	
GSV-40S	Satin	40	40	34	17	17	-	25	3	3.3	6.5	4	78.4 N	8 kg
GSV-40M	Polished													
GSV-55S	Satin	55	55	47	18	18	17	36.5	3	3.8	7.5	6		
GSV-55M	Polished													
GSV-80S	Satin	80	80	71	24	24	27	52	4	4.3	8.5	6	137.2 N	14 kg
GSV-80M	Polished													